



Product Specifications

Name: Color-temperature Touch controller (Aluminum version)

Model: RF302



Summarization

Five key touch controller is wireless small volume controller which newly introduced by our company, touch remote control adopts high precision capacitance touch control technology, you can select the color temperature proportion and brightness you need by one button. It is convenient and easy. It is used for controlling a variety of lamp whose source of light is LED. For instance, point source of light, flexible light strip, wall washer lamp, glass wall light etc. It has many advantages such as convenient to connect, easy to use and others. According to the actual need of customers, it can carry out jumpy changing, gradual changing, stroboflash and other effects of change.

Technical Parameters

Controller

working temperature: -20-60°C

supply voltage: DC12V-24V

output: 2 channels

connection mode: common anode

external dimension: L84 x W64 x H23mm

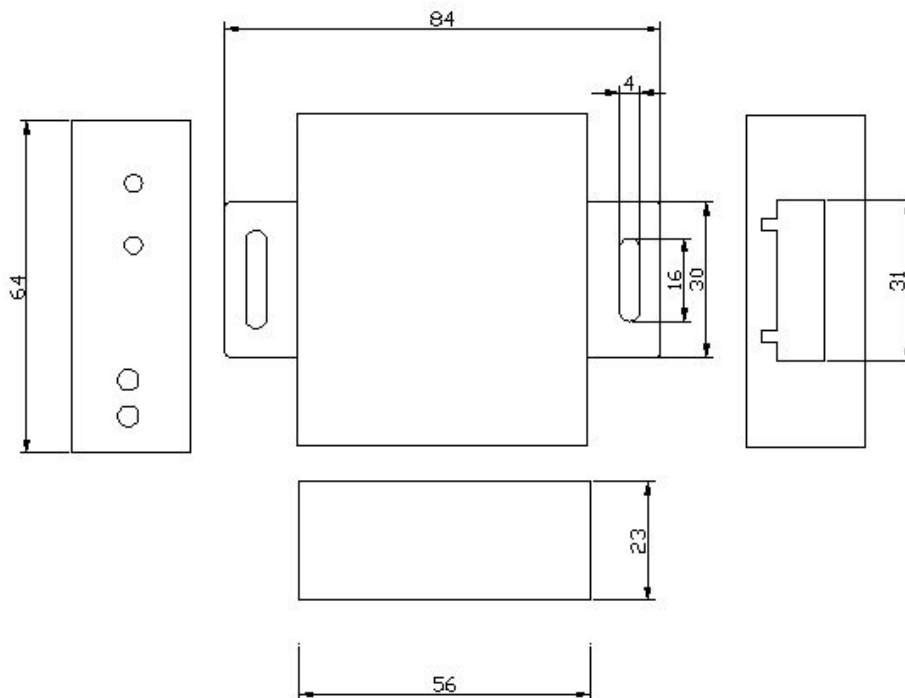


packing size: L200 x W146 x H36mm
net weight: 75g
gross weight: 197g
static power consumption: <1W
output current: <5A (each channel)
output power: 12V:<120W, 24V:<240W

Touch Remote Control

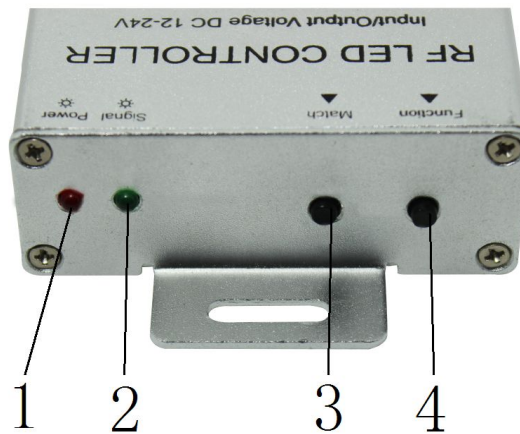
working temperature: -20-60°C
power supply mode: AAA * 3
supply voltage: 1.5V * 3
transmission frequency: 433.92 Mhz
standby power consumption: 0.015mW
standby current: 3uA
working current: 200uA
emission current: 10mA
remote distance: about 30m
standby time: 6 months
remote control weight: 85g

External Dimension (mm)



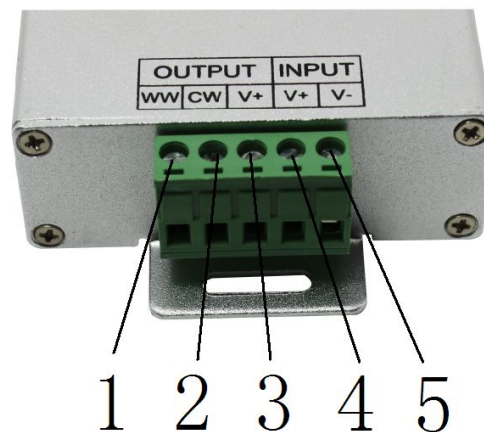
Control Descriptions

Button indicator descriptions



1. Power: power indicator, it lights when connected with external power supply;
2. Signal: RF signal indicator, it flashes when receiving correct remote control signal;
3. Match: match code and clear code key, clear code: hold the key power on, clear code all the same type of remote control can be remote control. Match code: Press the key during work process, it executes match code operation , after matching code, only the remote control with the same address code can be used for controlling;
4. Function: on/off and mode key, long press the button, you can turn on/off the output of controller, short press the button, you can switch the mode;

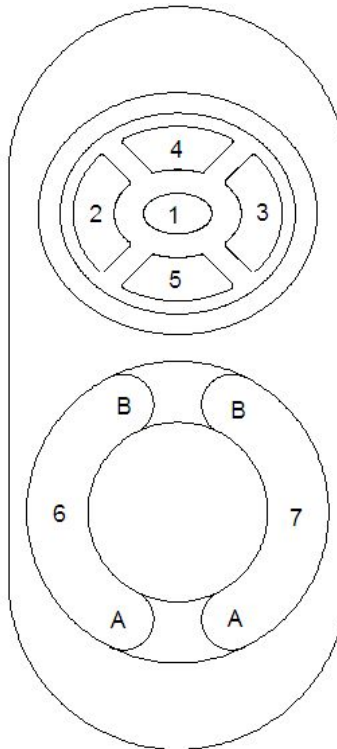
Terminals description



No.	Name	Type	Description
1	CW	Output	Cold color
2	WW	Output	Warm color
3	V+	Output	Common terminal
4	V+	Input	The positive power supply
5	V-	Input	The negative power supply

Direction for use

1. Direction for use of remote control:



- (1) on/off key: you can turn on/off controller output at any state;
- (2) brightness hotkey, brightness 25%
- (3) brightness hotkey, brightness 75%
- (4) brightness hotkey, brightness 100%
- (5) brightness hotkey, brightness 50%
- (6) touch ring, sliding along the A→B direction, brightness increases gradually; on the contrary, brightness reduces gradually;
- (7) touch ring, area A is colol color area, area B is warm color area. Sliding along the A→B direction, color temperature turns into pure white from cool white gradually and then to warm white; on the contrary, it turns into pure white from warm white gradually and then to cool white.

Power supply management: stop to use the remote more than 15-20s, the remote control will enter the standby state, to extend the battery life. Color ring can not be used at this time, slightly shake once, then the remote will come back to the normal working state.

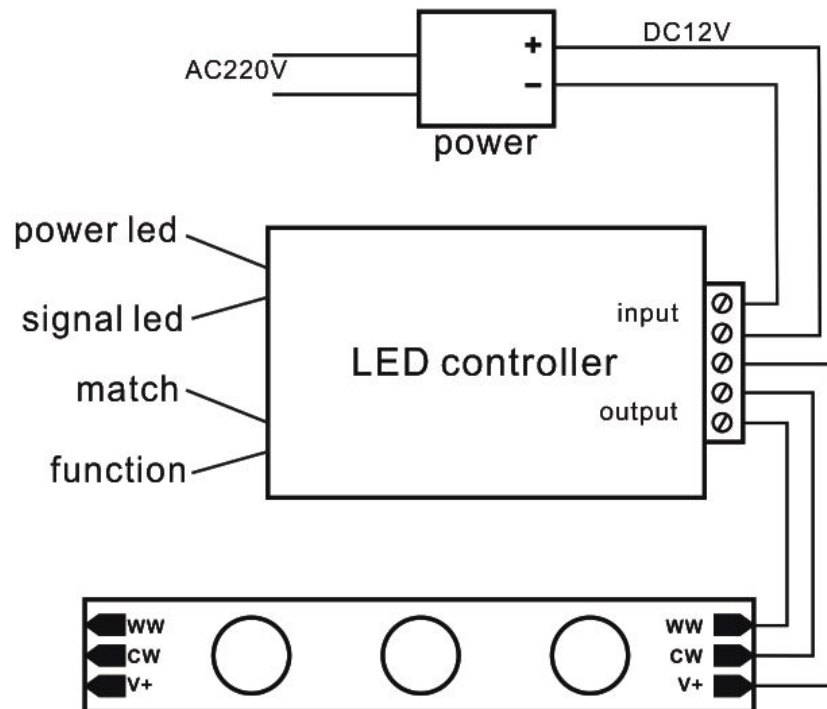
2. Modes corresponding to Function button are shown as the following table:

No.	Color teperature proportion		Remarks
CH	CW	WW	Brightness is adjustable
1	100%	0%	
2	90%	10%	
3	80%	20%	
4	70%	30%	
5	60%	40%	
6	50%	50%	
7	40%	60%	



8	30%	70%
9	20%	80%
10	10%	90%
11	0%	100%

Typical Application





Remarks:

1. Connect the load wire at first, following by the power wire; **Please ensure short circuit can not occur between connecting wire before you turn on the power;**
2. Power supply voltage range is DC12~24V, more than voltage range maybe burn out the controller.
3. When not use touch remote control for long time, we suggest you to take down the batteries.